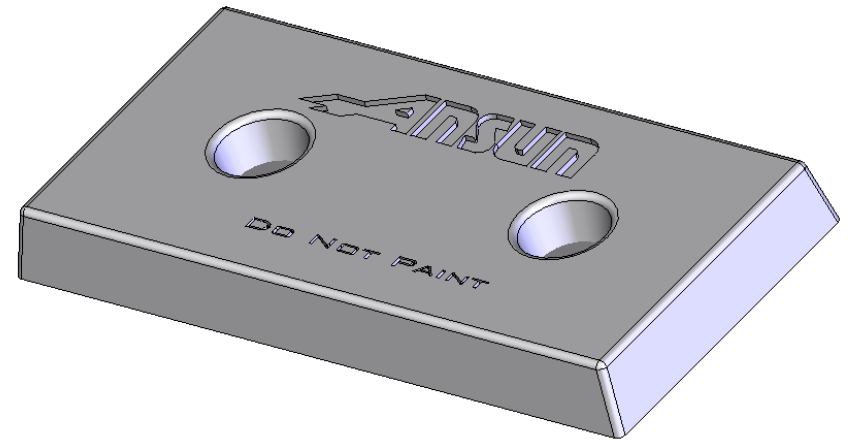
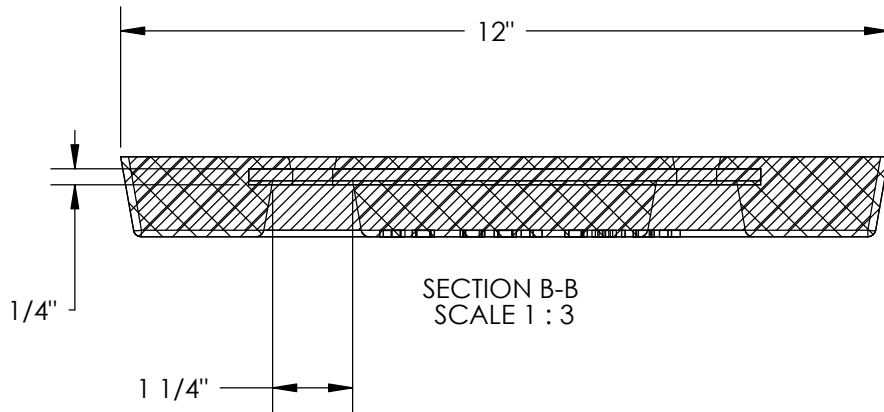
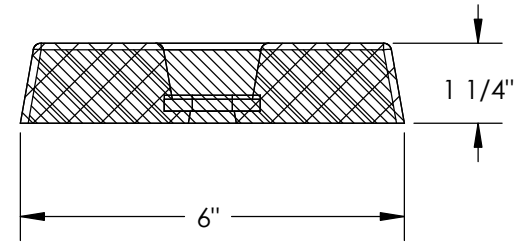


SECTION C-C
SCALE 1 : 3



ANSUN
ZHC 23

DIMENSIONS ARE IN INCHES
TOLERANCES:
FRACTIONAL $\pm 1/8$

SIZE	DWG. NO.	REV.
A		
NOMINAL WEIGHT: 23 LBS		